

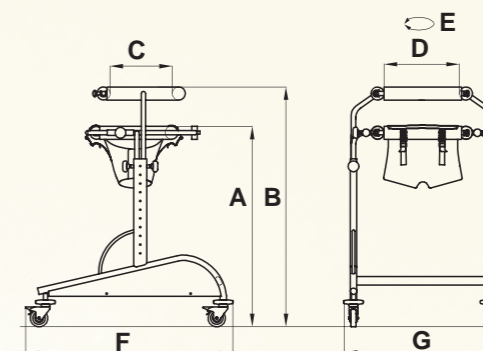
DYNAMICO

INGLESE - COD. 22120 - 12-2011



The manufacturer reserves the right to introduce any changes without prior notice.
The copyright even if partial is forbidden without any authorization of the manufacturer.

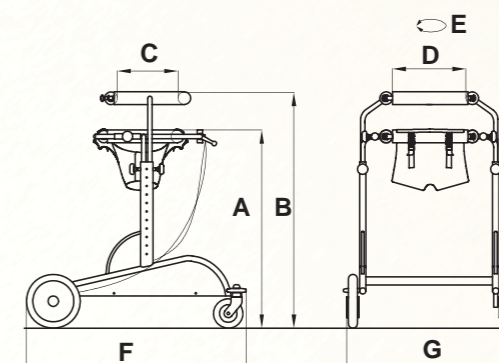
for indoor use



Size	Max. load	A	B	C	D	E	F	G	Weight of the aid	Turning width
1	kg 55	cm 44-60	cm 52-70	cm 18	cm 25	cm 65	79	cm 66	kg 12	cm 100
2	kg 70	cm 66-82	cm 77-95	cm 21	cm 28	cm 75	cm 84	cm 66	kg 14,6	cm 104
3	kg 85	cm 77-102	cm 89-116	cm 25	cm 30	cm 85	cm 88	cm 66	kg 15,6	cm 107
4	kg 100	cm 85-112	cm 92-126	cm 30	cm 35	cm 110	cm 95	cm 71	kg 17	cm 117
5	kg 115	cm 98-120	cm 108-138	cm 32	cm 41	cm 120	cm 106	cm 77	kg 19,7	cm 127

Hyphen-separated numbers indicate the minimum and maximum range of adjustment

for outdoor use



Size	Max. load	A	B	C	D	E	F	G	Weight of the aid	Turning width
2	kg 70	cm 71-87	cm 82-100	cm 21	cm 28	cm 75	cm 93	cm 74	kg 17,9	cm 114
3	kg 85	cm 82-107	cm 94-121	cm 25	cm 30	cm 85	cm 97	cm 74	kg 19,3	cm 120
4	kg 100	cm 90-117	cm 97-131	cm 30	cm 35	cm 110	cm 104	cm 78	kg 20,4	cm 126
5	kg 115	cm 103-125	cm 113-138	cm 32	cm 41	cm 120	cm 114	cm 82	kg 22,7	cm 139

Hyphen-separated numbers indicate the minimum and maximum range of adjustment



PRODUCT TESTED BY

TÜV BERLIN

Authorized Dealer

design and quality
MADE IN ITALY since 1980



ORMESA s.r.l.

Via A. Da Sangallo, 1 06034 FOLIGNO (PG) ITALY
TEL. +39 0742 22927 - FAX +39 0742 22637
info@ormesa.com - www.ormesa.com

COMPANY WITH QUALITY MANAGEMENT
SYSTEM CERTIFIED BY DNV
= ISO 9001:2008 =

technical SPECIFICATIONS

for indoor use

This version is **available in 5 sizes** and allows the complete fitness to each user

Handwheels for the adjustment in height of the axillary and pelvic support.

Non-toxic epoxy varnished chromium-plated frame.

Pelvic harness supporting the user in case of fall. It's adjustable in height thanks to some belts and in girth with velcro strips. It can be easily removed for washing.

Leg divider, **holes** for its assembling.

Castor wheels. They are all provided with independent brakes. The accessory 811 on the front wheels helps the adjustment of flowability of the walking frame, while the accessory 812 on back wheels helps its direction.

for outdoor use

This version is **available in 4 sizes** and allows the use of the walking frame on streets, gardens, etc. without any step and steep slope.



17 cm, front pivoting wheels



Hand brakes



30 cm, back fixed wheels



Dynamico 1 very small



Dynamico 2 small



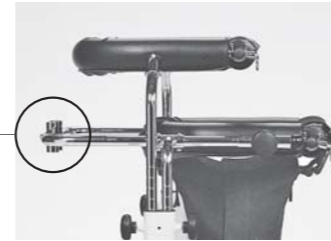
Dynamico 3 medium



Dynamico 4 large



Dynamico 5 adults



Adjustable handle-bar (813) front holes for its assembling.

Axillary padded support for the trunk, adjustable in height. It can be removed for people with sufficient trunk control.

References for the gradual adjustment in height of the axillary and pelvic support.

Pelvic padded support for the pelvis. It's adjustable either in height or in front-back direction in order to define the walking about with the moving of the barycentre forwards. It allows an easy access thanks to back opening.

Semi-elastic bumpers for the protection against any bumps.

Weight bars (810), **holes** for their assembling.



809 - Arm Supports
alternative to 813 Handlebar and 824 Tray
(for INDOOR/OUTDOOR use)



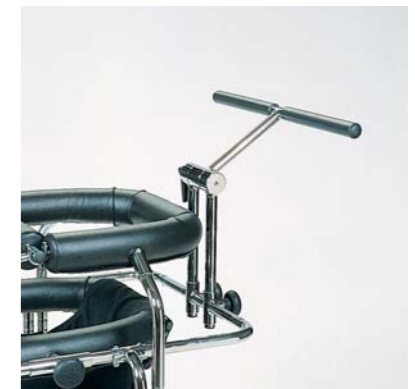
810 - Weight bars (for INDOOR/OUTDOOR use sizes 2 - 3 - 4 and 5)



811 - Front wheels with adjustable brakes
(only for INDOOR use)



812 - Directional locks for back wheels
(only for INDOOR use)



813 - Adjustable handlebar
alternative to 809-Arm support and 824-Tray
(only for INDOOR use)



814 - Leg divider
(only for INDOOR use)



815 - Abduction saddle
(only for INDOOR use, sizes 2 - 3 and 4)



824 - Transparent tray
alternative to 809-Arm support and 813-Handlebar
(only for INDOOR use)

They add weight to each size as follows:

- Rgt+Lft 810 for DYN. 2 = kg 5
- Rgt+Lft 810 for DYN. 3 = kg 6,2
- Rgt+Lft 810 for DYN. 4 = kg 7,4
- Rgt+Lft 810 for DYN. 5 = kg 8,7